



CABLE 232 RF: RF CABLE ASSEMBLY, I-PEX MHF + FRONT MOUNT RP SMA S/T BULKHEAD JACK + MULTIPLE CABLE SIZES - 6GHz

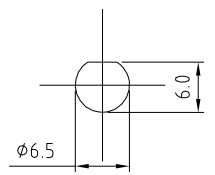
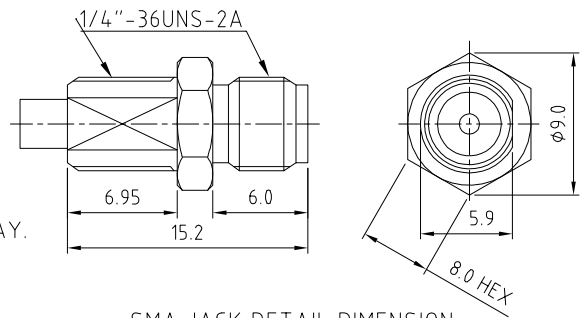
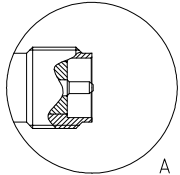
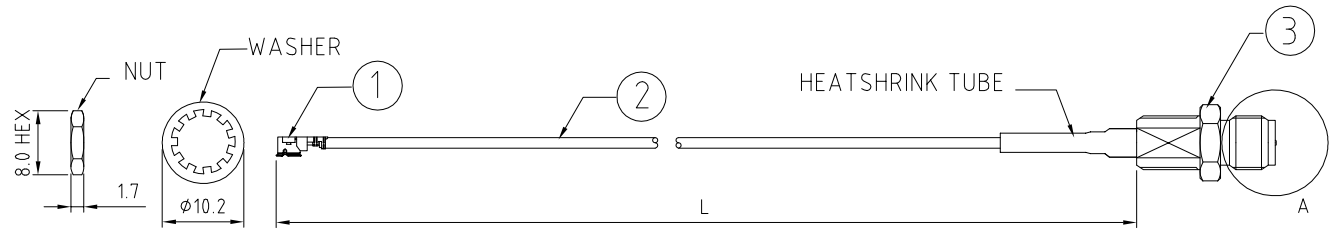
SPECIFICATIONS :

- I-PEX MHF PLUG, P/N:
FOR $\phi 1.13\text{MM}$ CABLE: 20278-112R-13.
FOR RG178 CABLE: 20278-112R-18.
- COAXIAL CABLE, SEE P/N OPTIONS FOR DETAIL.
- FRONT MOUNT RP SMA STRAIGHT BULKHEAD JACK ,P/N:
FOR $\phi 1.13\text{MM}$ CABLE: RFCT-SMA016-F13.
FOR RG178 CABLE: RFCT-SMA031-F78.

USAGE PRECAUTIONS: CABLES USING 'MICRO' COAX ARE DELICATE:
 (i) HANDLE WITH CARE.
 (ii) DO NOT TWIST; APPLY EXCESSIVE FORCES OR SHARP BENDS TO THE CABLE. DO NOT FORCEFULLY DEFORM WIRES.
 (iii) CONSULT CONNECTOR MANUFACTURER'S DATASHEETS FOR DETAILED NOTES ON HANDLING INSTRUCTIONS.

NOTES:

- THE ORIENTATION OF CONNECTORS ON DRAWING IS FOR REFERENCE ONLY, IF THE ORDER IS LEFT BLANK THE CONNECTOR WILL NOT HAVE FIXED ORIENTATION.
- FIXED ORIENTATION IS SUGGESTED FOR CABLE LENGTH 25MM TO 100MM. PLEASE SPECIFY THE FIXED ORIENTATIONS FROM THE ORDER CODE (F1, F2, ETC)
- CONTACT GRADCONN IF THE ORIENTATION YOU REQUIRE IS NOT SHOWN.
- WORKING FREQUENCY RANGE: DC-6GHz
- IT IS INTENDED THAT MOUNTING OF THIS CONNECTOR IS ACHIEVED USING THE NUT AND WASHER PROVIDED. PLEASE CONTACT GRADCONN FOR ADVISE IF PLANNING TO USE A DIFFERENT METHOD OF MOUNTING.
- OPERATING TEMPERATURE: -40°C TO $+85^{\circ}\text{C}$
- IMPEDANCE: 50 OHM.



HOW TO ORDER

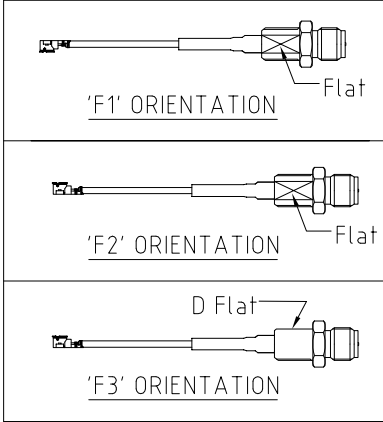
CABLE 232 RF - X X X - X X - X - X

"L" LENGTH IN MM:
 eg: 100MM = 100
 (MIN. 025-MAX.400
 STANDARD = 100, 150, 200)
 Tolerance: <50mm : $\pm 2\text{mm}$.
 51-200mm: $\pm 5\text{mm}$.
 201-400mm: $\pm 7\text{mm}$.

CABLE SIZE OPTIONS:
 1 = $\phi 1.13\text{MM}$ LOW LOSS CABLE, COLOR: GRAY.
 2 = RG178 CABLE, COLOR: BROWN.

WASHER AND NUT OPTIONS:
 BLANK = SEPARATELY PACKED (STANDARD)
 A = ALL ASSEMBLED WITH CONNECTOR
 C = ACCESSORIES NOT SUPPLIED

ORIENTATION OPTIONS:
 BLANK = DOES NOT HAVE A FIXED ORIENTATION
 F1 = MHF CONNECTION DOWN (L=25-200MM)
 F2 = MHF CONNECTION UP (L=25-200MM)
 F3 = MHF CONNECTION AND D FLAT SAME ORIENTATION (L=25-200MM)
 (SEE NOTES 1, 2, 3 AND DIAGRAMS FOR MORE INFORMATION)



REV. DATE & DRN	10 24/03/16 - NYW RELEASE
11 06/10/16 - NYW	AMEND SMA DESCRIPTION
12 07/03/17 - NYW	ADD RG178 CABLE OPTION 2.
13 10/03/17 - NYW	ADD ORIENTATION OPTION 3.
14 18/08/20 - NYW	ADD NOTE 5.
15 26/04/21 - NYW	ADD NOTE 6 & 7.
16 03/07/23 - NYW	DRAWING UPDATE.

Scale: NTS	THIRD ANGLE	Unstated X .XX .XXX ANGLES	Tolerances: N/A N/A N/A N/A	Material SEE NOTE
Drawn: NYW				
App'd: XXX	Title CABLE ASSEMBLY			NOT TO SCALE
Date: 3 JUL '23	Revision: 1.6			Unit: mm

Type: Cable 232 RF
CABLE 232 RF
Drawing Number:
Sheet 1 of 1
Drawing © E and O E

THIS DRAWING IS CONFIDENTIAL AND MUST NOT BE COPIED OR DISCLOSED WITHOUT WRITTEN CONSENT